

Model Chocks™

Instructions for use of Model Chocks.

Model Chocks are designed to prevent the transportation damage that can occur to your R/C Model when it is allowed to roll back and forth in your car or truck. Model chocks lock onto your plane's axle shafts and surround the wheels to prevent the model from rolling back and forth during transportation. At the field, it can help prevent the model from being blown off the table by a gust of wind or rolling around while you are working on it. In the workshop, Model Chocks can make chores such as radio installation much easier and minimizes the possibility of bumping your model and having it accidental roll off your workbench. Model chocks are also great for long term storage. Since the Model Chocks lift the plane off the ground, they can eliminate the formation of flat spots on the models wheels.

Installation:

1. In order for the model chocks to fit onto your plane, you need to loosen the wheel collar on the outside axle shafts to provide proper clearance of 3/32" for the Model Chocks. (Fig. 1).
2. Snap the model chocks in place on each side of the wheel. (Fig. 2). If your plane has aluminum, dural type landing gear with threaded axle shafts, the same technique is used. (Fig 3).

WARNING: Model chocks are designed to prevent model from rolling back and forth under normal driving conditions. During severe breaking or sudden violent turns, your model may tip over., To minimize the chance of this occurring, it is best to load your model so the nose is facing the side of the vehicle. **DO NOT USE MODEL CHOCKS TO HOLD PLANE DURING or AFTER ENGINE START UP.**

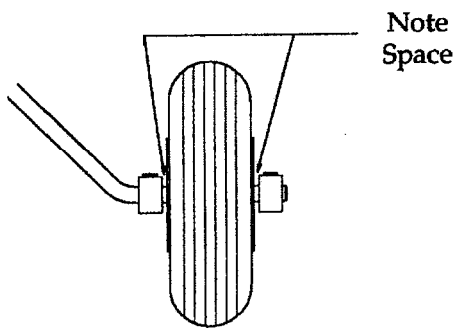


Fig. 1

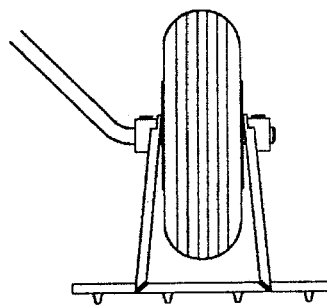


Fig. 2

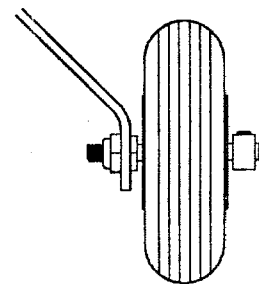


Fig. 3

Limited Warranty

MODEL CHOCKS are warranted against defects in materials and workmanship for a period of 1 year from the date of purchase. During this period Sonic-Tronics Inc. will replace any components found to be defective. This warranty does not cover any unit that has been improperly used, altered, or abused. Under no circumstances will the purchaser be entitled to consequential or incidental damages resulting in the use of this product. This Limited Warranty gives you specific legal rights. You may have other rights which vary from state to state. The use of this product shall constitute compliance with this warranty.



7865 Mill Road Elkins Park, PA 19027

Ph: 215 635-6520 Fx: 215 635-4951 Toll Free Orders 888 721-0128

Web: www.sonictronics.com Email: info@sonictronics.com